

# KXS-O

## KXS-O 100-120-140



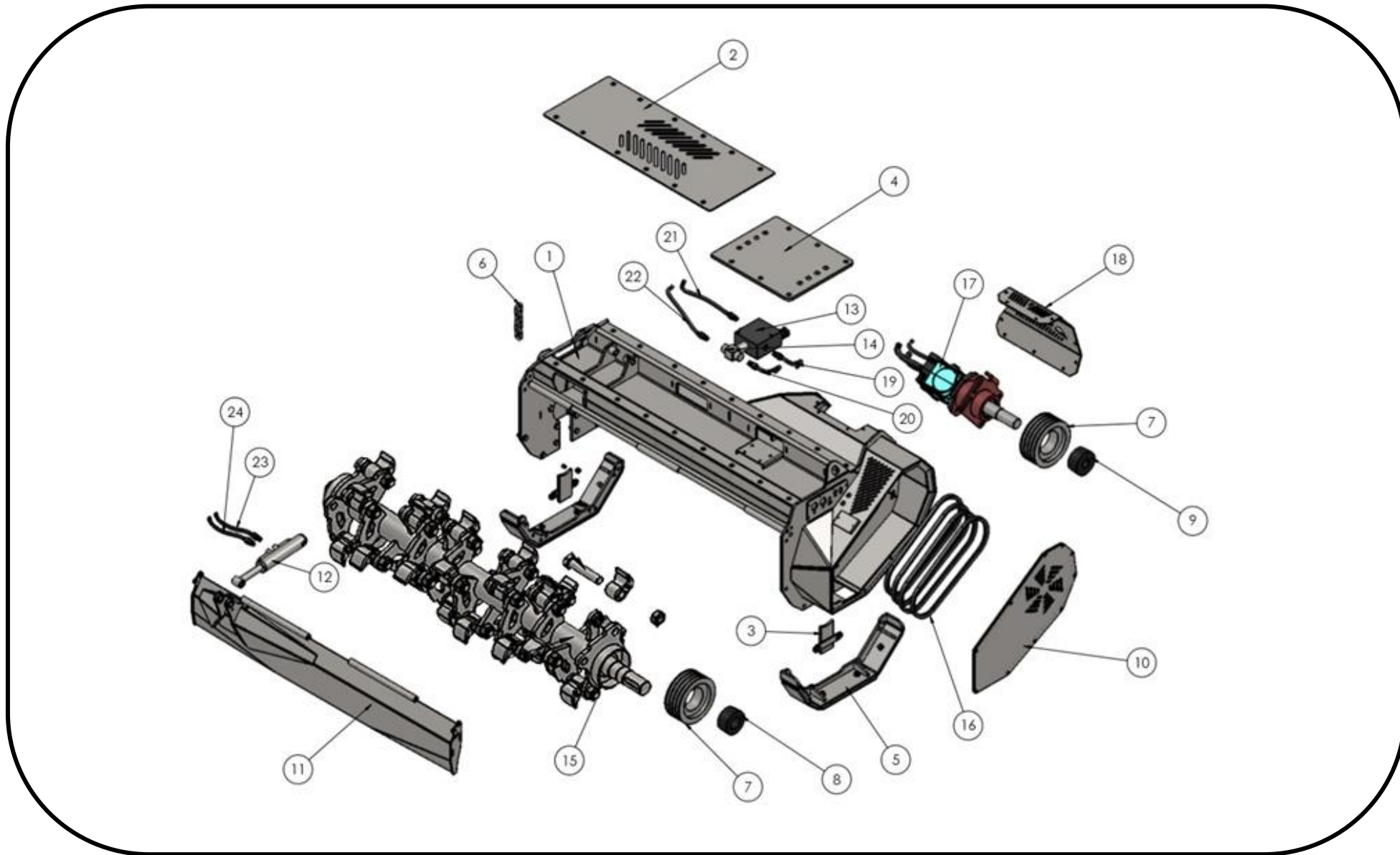
DESPIECE / ÉCLATÉE / SPARE PARTS LIST

**NB MACHINERY**

AGRICULTURAL & FORESTRY



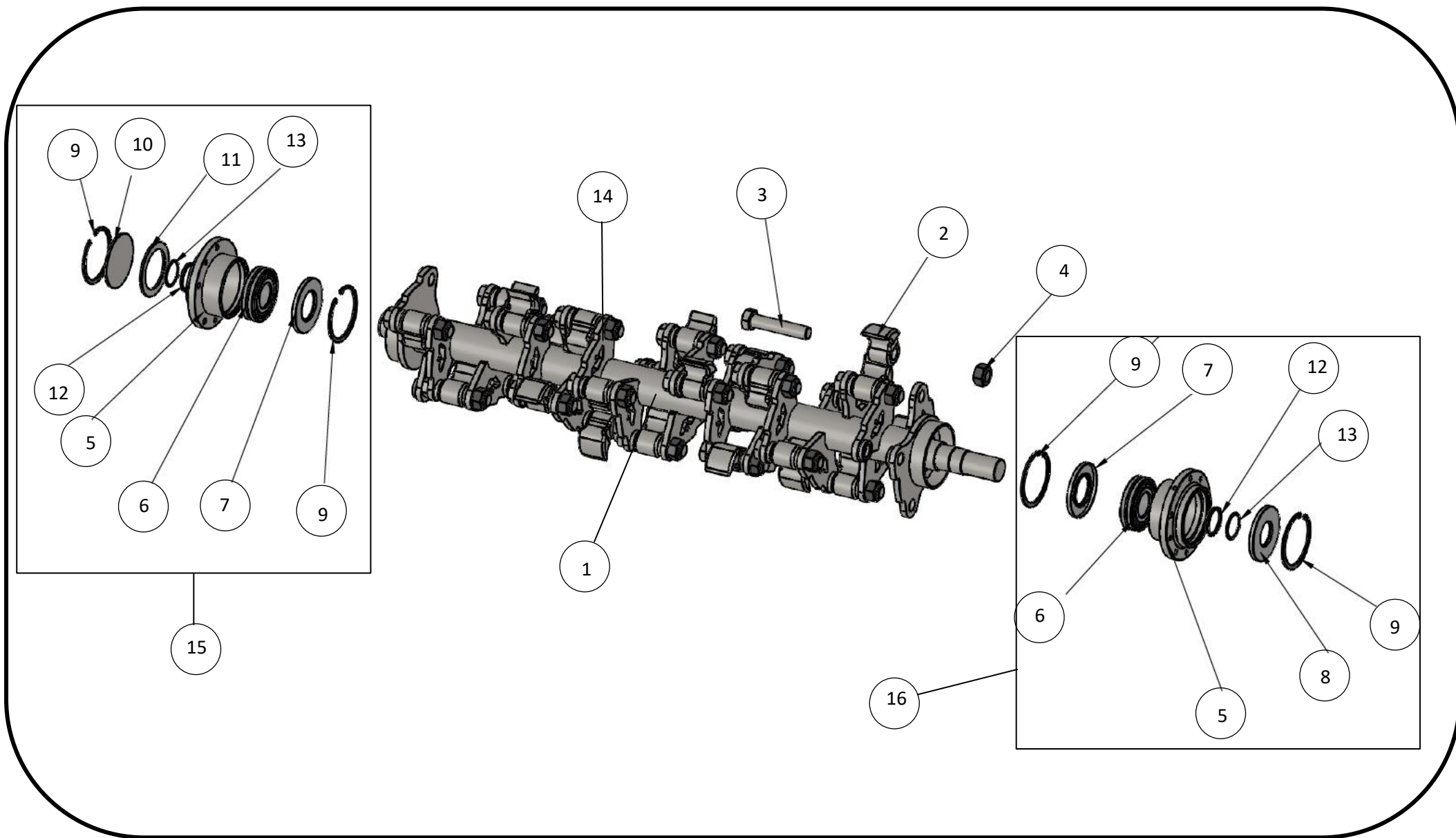
## CONJUNTO CABEZAL/ MULCHER HEAD ASSEMBLY/ ASSEMBLAGE TÊTE BROYEUR



## CONJUNTO CABEZAL/MULCHER HEAD ASSEMBLY/ ENSEMBLE TÊTE BROYEUR

Nº	Part Nº	DESCRIPCIÓN	DESCRIPTION	DÉSCRIPTION	Quantity
1	KR059/KR060/KR061	CONJUNTO CHASIS 100/120/140	CHASSIS ASSEMBLY 100/120/140	ENSEMBLE CHÂSSIS 100/120/140	1
2	KR062	CHAPA CIERRE KXS-O	CLOSURE SHEET KXS-O-SHAPE	PLAQUE FERMETURE KXS-O	1
3	KR063	TAPA CIERRE LATERAL	SIDE CLOSURE SHEET	PLAQUE FERMETURE LATÉRALE	2
4	KR064	PLACA ENGANCHE	COUPLING SHEET	PLAQUE ATTELAGE	1
5	KR065	CONJUNTO PATIN	SKID ASSEMBLY	ENSEMBLE PATIN	2
6	TR1166	CADENA ESLABONES 35x60x10	CHAIN LINKS 35x60x10	CHAÎNE MAILLONS 35x60x10	28/33/38
7	TR610	POLEA SPB200 4 CANALES	PULLEY SPB200 4 WAYS	POULIE SPB200 4 CANAUX	2
8	TR085	TAPPER 3020/55	TAPER LOCK BUSH 3020/55	TAPER LOCK 3020/55	1
9	TR309	TAPPER 3020/40	TAPER LOCK BUSH 3020/40	TAPER LOCK 3020/40	1
10	KR066	TAPA CAJA CORREAS	COVER PROTECTION BELTS	COUVERCLE PROTECTION COURROIES	1
11	KR067 KR068 KR069	PUERTA KXS 100/120/140	REAR DOOR KXS 100/120/140	CAPOT KXS 100/120/140	1
12	KR070	CILINDRO PUERTA TRASERA	HYDRAULIC CYLINDER REAR DOOR	VÉRIN HYDRAULIQUE CAPOT ARRIÈRE	1
13	KR038	REGULADOR CAUDAL 1"	FLOW REGULATOR 1"	RÉGULATEUR DU DÉBIT 1"	1
14	VR133	T 1"	T 1"	T 1"	1
15	KR071/KR072/KR073	CONJUNTO EJE MARTILLOS 100/120/140	AXIS OF HAMMER ASSEMBLY 100/120/140	AXE DE MARTEAUX 100/120/140	1
16	TR1165	CORREA BX51	BELT BX51	COURROIE BX51	4
17	KR047	CONJUNTO MOTOR HIDRAULICO	HYDRAULIC MOTOR ASSEMBLY	ENSEMBLE MOTEUR HYDRAULIQUE	1
18	KR074	TAPA MOTOR	MOTOR COVER	COUVERCLE MOTEUR	1
19	KR075/KR050	MANGUERA PRESION REGULADA A MOTOR (100/120-140)	PRESSURE HOSE REGULATED TO MOTOR (100/120-140)	TUYAU PRESSION REGLÉE À MOTEUR (100/120-140)	1
20	KR075/KR050	MANGUERA RETORNO MOTOR A VALVULA (100/120-140)	RETURN HOSE REGULATED TO MOTOR (100/120-140)	TUYAU RETOUR REGLÉE À MOTEUR (100/120-140)	1
21	KR075/KR050	MANGUERA PRESION GENERAL	MAIN PRESSURE HOSE	TUYAU PRESSION GÉNÉRAL	1
22	KR075/KR050	MANGUERA RETORNO GENERAL	MAIN RETURN HOSE	TUYAU RETOUR GÉNÉRAL	1
23	KR075/KR050	MANGUERA CILINDRO PUERTA	HYDR CYLINDER HOSE REAR DOOR	TUYAU VÉRIN CAPOT	1
24	KR075/KR050	MANGUERA CILINDRO PUERTA	HYDR CYLINDER HOSE REAR DOOR	TUYAU VÉRIN CAPOT	1

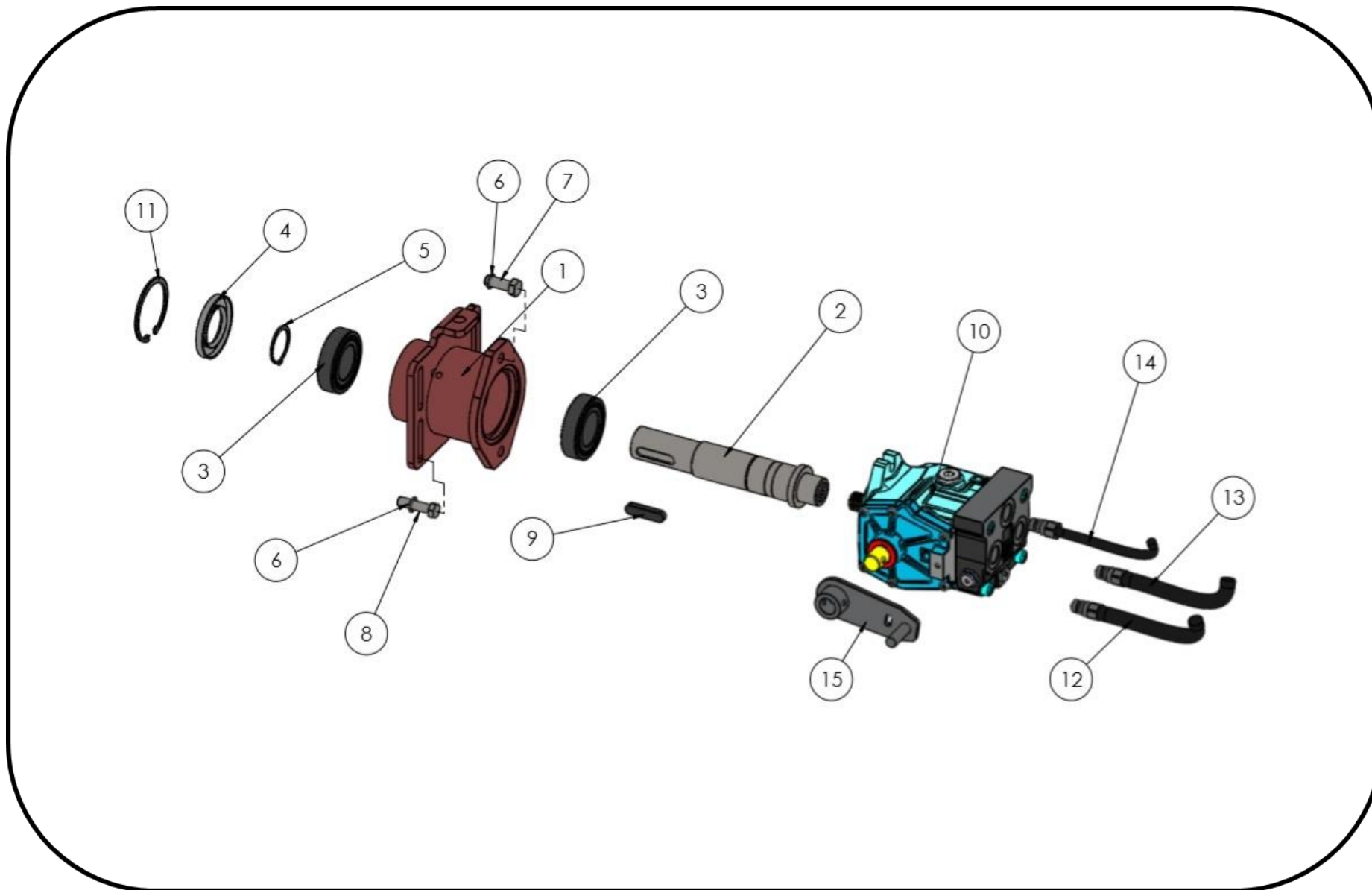
# EJE DE MARTILLOS/AXIS OF HAMMERS/AXE DE MARTEAUX



## EJE DE MARTILLOS/AXIS OF HAMMERS/AXE DE MARTEAUX

Nº	Part Nº	DESCRIPCIÓN	DESCRIPTION	DÉSCRIPTION	QUANTITY
1	KR071/KR072/KR073	EJE MARTILLOS 100/120/140	AXIS OF HAMMER 100/120/140	AXE MARTEAUX 100/120/140	1
2	TR725	MARTILLO FORESTAL	FORESTRY HAMMER	MARTEAU FORESTIÈRE	18/22/26
3	TR390	TORNILLO DIN931 M30x150	BOLT DIN931 M30x150	VIS DIN931 M30x150	18/22/26
4	TR374	TUERCA DIN 985 M-30	NUT DIN 985 M-30	ÉCROU DIN 985 M-30	18/22/26
5	TR245	BUJE	HUB	MOYEU	2
6	TR719	RODAMIENTO 21312	BEARING 21312	ROULEMENT 21312	2
7	TR1195	RETEN 68x135x10	SEAL 68x135x10	JOINTE 68x135x10	2
8	TR1160	RETEN 55x135x10	SEAL 55x135x10	JOINTE 55x135x10	1
9	TR412	SEGGER I-135	SEGGER I-135	SEGGER I-135	4
10	TR416	TAPA CIEGA	CAP	COUVERCLE	1
11	TR1283	SUPLEMENTO TAPA BUJE	WASHER	CALE	1
12	TR522	ARANDELA SUPLEMENTO	SPACE WASHER	RONDELLE	2
13	TR414	SEGGER E-60	SEGGER E-60	SEGGER E-60	2
14	TR1342	SOPORTE MARTILLO	HAMMER HOLDER	SUPPORT MARTEAU	36/44/52
15	TR1330	BUJE COMPLETO EXTERIOR ROTOR 21312	COMPLETE ROTOR HUB KIT (EXTERIOR SIDE) - 21312	MOYEU COMPLET EXTÉRIEUR ROTOR- 21312	1
16	TR1331	BUJE COMPLETO TRANSMISION ROTOR-21312	ROTOR HUB REPLACEMENT KIT (PULLEY SIDE) - 21312	MOYEU COMPLET TRANSMISSION ROTOR - 21312	1

## CONJUNTO MOTOR /MOTOR ASSEMBLY/ENSEMBLE MOTEUR



**CONJUNTO MOTOR /MOTOR ASSEMBLY/ENSEMBLE MOTEUR**

<b>Nº</b>	<b>Part Nº</b>	<b>DESCRIPCIÓN</b>	<b>DESCRIPTION</b>	<b>DÉSCRIPTION</b>	<b>QUANTITY</b>
1	KR076	CONJUNTO BUJE MOTOR HIDRAULICO	HYDRAULIC MOTOR HUB ASSEMBLY	ENSEMBLE MOYEU MOTEUR HYDRAULIQUE	1
2	KR077	CONJUNTO EJE PROLONGACION MOTOR KXS	MOTOR EXTENSION SHAFT ASSEMBLY	ENSEMBLE ESSIEU PROLONGATION MOTEUR KXS	1
3	TR1038	RODAMIENTO 4210	BEARING 4210	ROULEMENT 4210	2
4	TR602	RETEN 50x90x10	JOINT 50x90x10	JOINTE 50x90x10	1
5	TR217	SEGGER E-50	SEGGER E-50	SEGGER E-50	1
6a	VR023	ARANDELA DIN127 M14	WASHER DIN127 M14	RONDELLE DIN127 M14	1
6b	DR062	ARANDELA DIN127 M12	WASHER DIN127 M12	RONDELLE DIN127 M12	1
7	VR134	TORNILLO DIN933 M14x40	SCREW DIN933 M14x40	VIS DIN933 M14x40	1
8	VR130	TORNILLO DIN933 M12x50	SCREW DIN933 M12x50	VIS DIN933 M12x50	1
9	TR063	CHAVETA 14x9x60	COTTER PIN 14x9x60	CLAVETTE 14x9x60	1
10	KR047	MOTOR HIDRAULICO DE CILINDRADA VARIABLE	VARIABLE DISPLACEMENT HYDRAULIC MOTOR	MOTEUR HYDRAULIQUE CYLINDRÉE VARIABLE	1
11	VR020	SEGGER I-90	SEGGER I-90	SEGGER I-90	1
12*	KR075/KR050	MANGUERA PRESION	PRESSURE HOSE	TUYAU PRESSION	1
13*	KR075/KR050	MANGUERA RETORNO	RETURN HOSE	TUYAU RETOUR	1
14*	KR075/KR050	MANGUERA DRENAJE	DRAINAGE HOSE	TUYAU DRAINAGE	1
15	KR049	CHAPA AJUSTE CILINDRADA	PLATE OF DISPLACEMENT ADJUSTMENT	PLAQUE REGLAGE CYLINDRÉE	1