

# CABEZAL FORESTAL HIDRAULICO MOD. KXP-F



**DESPIECE**

**I ECLATEE ET PIECES DE RECHANGE**

**SPARE PARTS LIST**



— Estimado cliente,

Ante todo gracias por confiar en un producto Niubo. A continuacion se encuentra el despiece de la maquina adquirida. Si usted desea pedir piezas de recambio debera indicarnos lo siguiente o bien hacer servir el recuadro que viene a continuacion.

Cher  client,

Tout  d'abord merci d'avoir choisi un produit Niubo. Ci-dessous, il y a le eclatee de la machine achatee. Si vous souhaitez commander des pieces de rechange, vous devez fournir les donees suivants ou vous pouvez servir la case qui suit.

Dear customer,

First of all thanks for choosing a product Niubo. Below is the spare part list of the machine purchased. If you wish to order spare parts you must provide us the following data or you can serve the box that follows.

Modelo maquina: *Modele*  
*machine Machine model*

Numero de serie de la maquina:

*Nombre de serie*

*Serial Nr* \_\_\_\_\_

Numero de elemento de la pieza de recambio: *Nombre*

*d'element de la piece detachee Spare part's element number*

Pagina donde se encuentra:

*Page de cet manuel ou se trouve la piece Page number where is*  
*the spare part* \_\_\_\_\_

Cantidad a pedir:

*Quantitee a commander*

*Quantity to order* \_\_\_\_\_

**En la placa de identificacion de la maquina encontrara la informacion que se le solicita:**

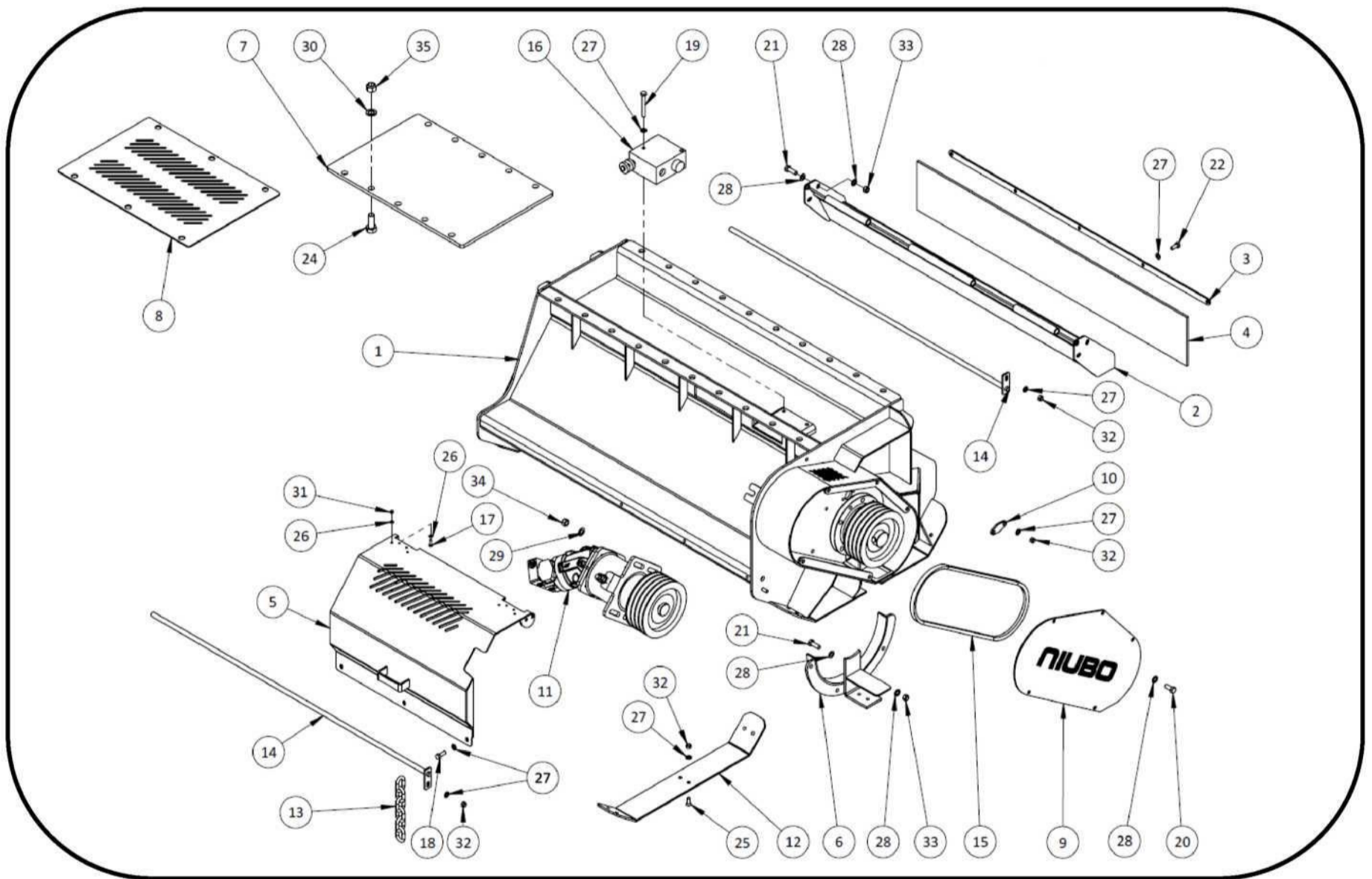
*A la plaque d'identification de la machine vous trouverez l'information que vous avez besoin :*

*In ID plate of the machine you can find the information you need:*

**S3 niUBO**

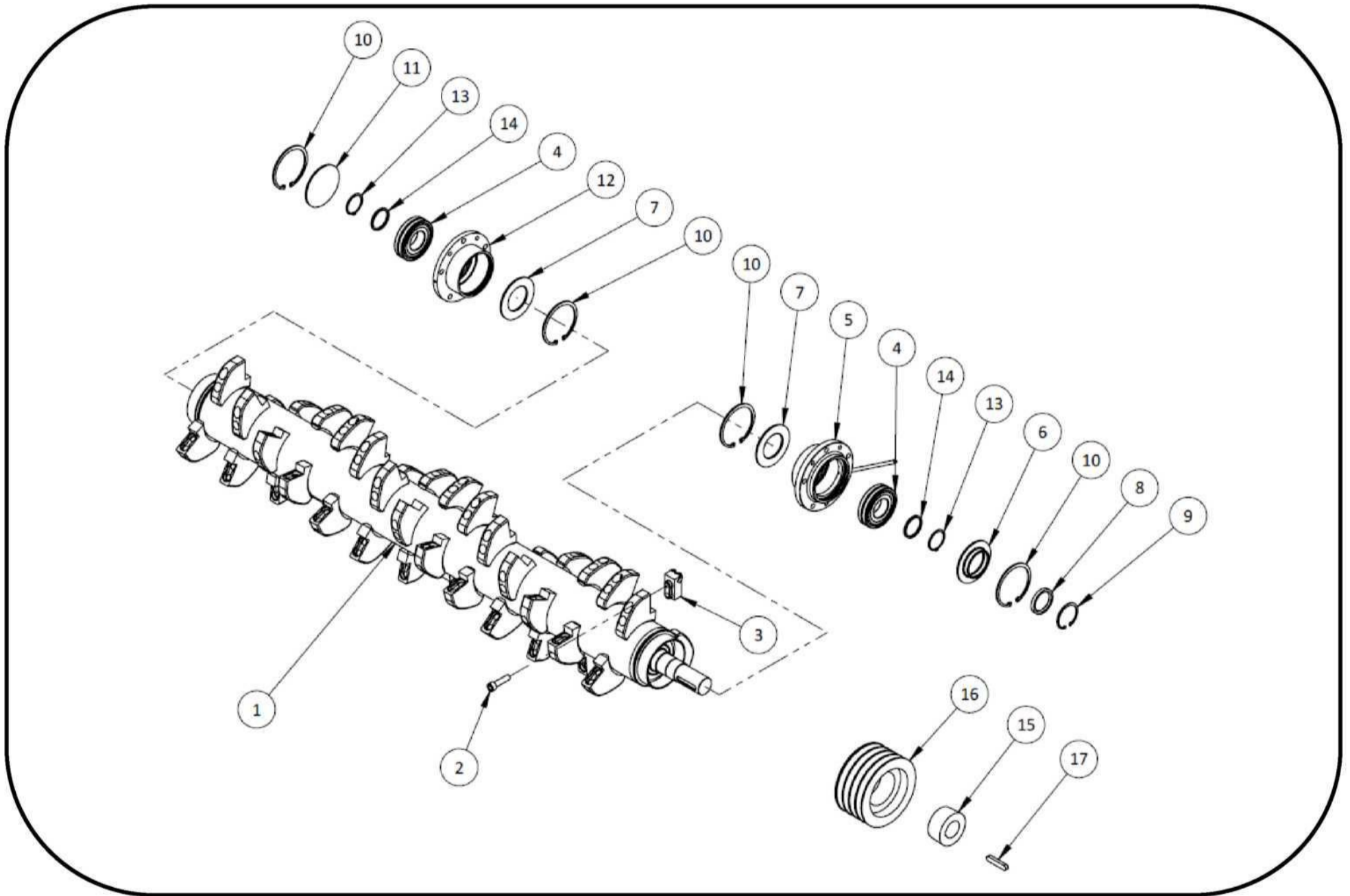
AGRICULTURAL MACHINERY

AÑO FABRICACION YEAR MANUFACTURE ANNEE  
FABRICATION



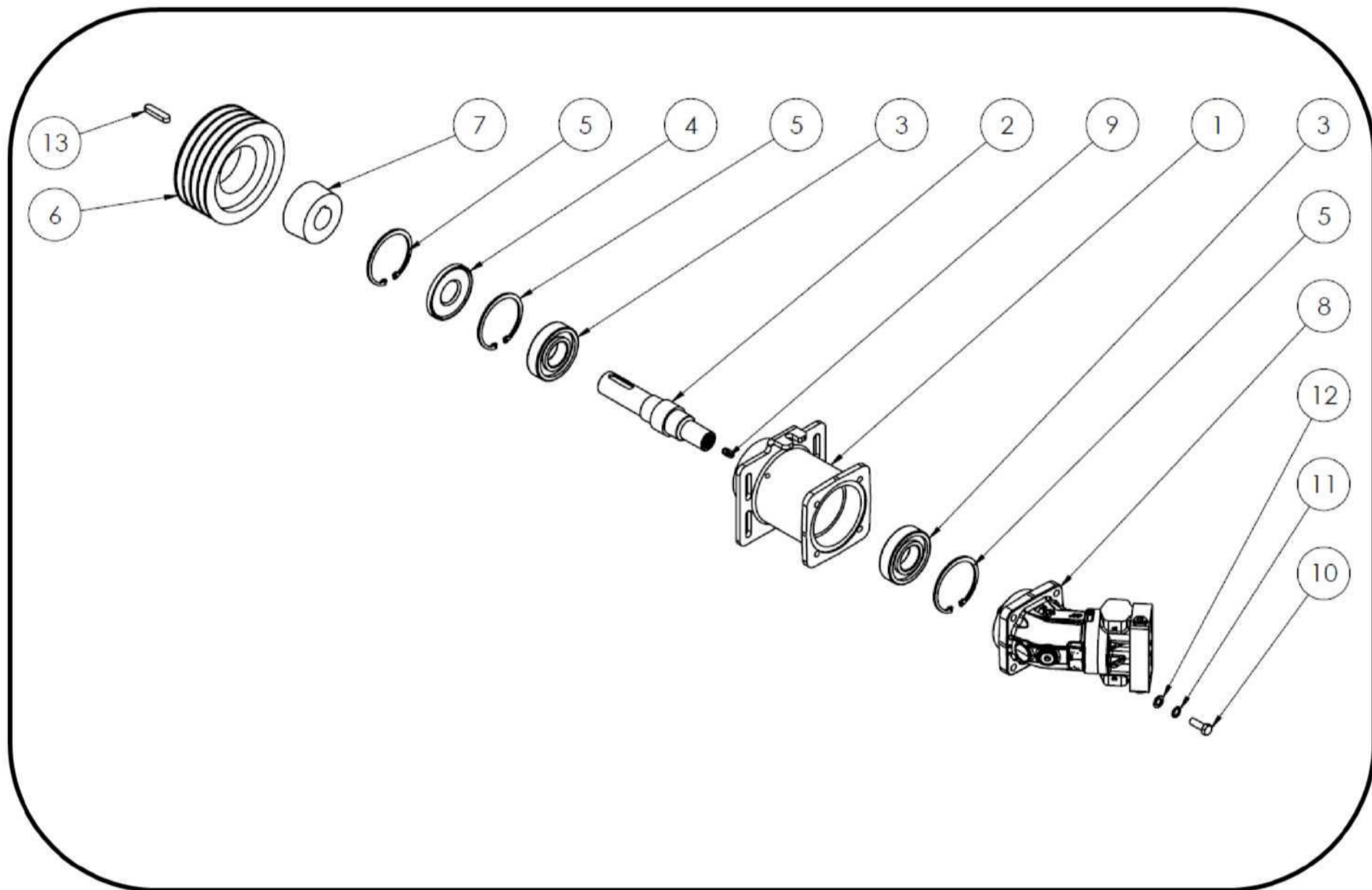
N°	Артикул	DESCRIPTION	DÉSCRIPTION
1	ET1P1	Chassis assembly	Ensemble chassis
2	ET1P2	Door	Porte
3	ET1P3	Fixation gum	Fixation gomme
4	ET1P4	Gum	gomme
5	ET1P5	Set covers engine	Ensemble couvercle moteur
6	ET1P6	Set covers side	Ensemble couvercle lateral
7	ET1P7	Platen hooks	Platine accroche
8	ET1P8	Protection plate	Plaque protection
9	ET1P9	Belt's cover	Couverture courroies
10	ET1P10	Axis of hammers cover	Couverture axe de marteaux
11	ET1P11	Set engine	Ensemble moteur
12	ET1P12	Skid	Patin
13	ET1P13	Protection chain	Chaine de protection
14	ET1P14	Support chain bar	Baleine support chaine
15	ET1P15	BX-53 belt	Courroie BX-53
16	ET1P16	FPRF-1 regulator	Regulateur FPRF-1
17	ET1P17	Hexagonal screw DIN 933 M6x20	Vis hexagonale DIN 933 M6x20
18	ET1P18	Hexagonal screw DIN 931 M10x30	Vis hexagonale DIN 931 M10x30
19	ET1P19	Hexagonal screw DIN 931 M10x90	Vis hexagonale DIN 931 M10x90
20	ET1P20	Hexagonal screw DIN 933 M12x30	Vis hexagonale DIN 933 M12x30
21	ET1P21	Hexagonal screw DIN 933 M12x35	Vis hexagonale DIN 933 M12x35
22	ET1P22	Hexagonal screw DIN 933 M14x45	Vis hexagonale DIN 933 M14x45
23	ET1P23	Hexagonal screw DIN 933 M16x80	Vis hexagonale DIN 933 M16x80
24	ET1P24	Hexagonal screw DIN 931 M20x50	Vis hexagonale DIN 931 M20x50
25	ET1P25	Screw DIN 7991 M10x25	Vis DIN 7991 M10x25
26	ET1P26	Washer DIN 125 M6	Rondelle DIN 125 M6
27	ET1P27	Washer DIN 125 M10	Rondelle DIN 125 M10
28	ET1P28	Washer DIN 125 M12	Rondelle DIN 125 M12

<b>29</b>	ET1P29	Washer DIN 125 M14	Rondelle DIN 125 M14
<b>30</b>	ET1P30	Washer DIN 125 M20	Rondelle DIN 125 M20
<b>31</b>	ET1P31	Nut DIN 985 M6	Écrou DIN 985 M6
<b>32</b>	ET1P32	Nut DIN 985 M10	Écrou DIN 985 M10
<b>33</b>	ET1P33	Nut DIN 985 M12	Écrou DIN 985 M12
<b>34</b>	ET1P34	Nut din 985 M14	Écrou DIN 985 M14
<b>35</b>	ET1P35	Nut din 985 M20	Écrou DIN 985 M20



<b>N°</b>	<b>Артикул</b>	<b>DESCRIPTION</b>	<b>DÉSCRIPTION</b>
<b>1</b>	ET2P1	Axis of hammers	Axe de marteaux
<b>2</b>	ET2P2	Hexagonal DIN912 M16x60	Vis DIN912 M16x60
<b>3</b>	ET2P3	Hammer	Marteaux
<b>4</b>	ET2P4	Bearing 22312	Roulement 22312
<b>5</b>	ET2P5	Hammers axis support	Suport axe marteaux
<b>6</b>	ET2P6	Support oil seal washer cover	Couvercle rondelle support reserve
<b>7</b>	ET2P7	Protection washer	Rondelle protection
<b>8</b>	ET2P8	Seal 60x80x10	Reten 60x80x10
<b>9</b>	ET2P9	Seger I-80	Seger I-80
<b>10</b>	ET2P10	Seger I-135	Seger I-135
<b>11</b>	ET2P11	Axis cescover	Couvercle aveugle axe
<b>12</b>	ET2P12	Hammers axis support	Suport axe marteaux
<b>13</b>	ET2P13	Seger E-60	Seger E-60
<b>14</b>	ET2P14	Supplement washer	Rondelle supplement
<b>15</b>	ET2P15	Tapper 3020-55	Tapper 3020-55
<b>16</b>	ET2P16	Fan belt SPC 212-4C	Poulie SPC 212-4C
<b>17</b>	ET2P17	Cotter 16x10x80	Clavette 16x10x80









<b>N°</b>	<b>Артикул</b>	<b>DESCRIPTION</b>	<b>DÉSCRIPTION</b>
<b>1</b>	ET3P1	Engine set	Ensemble moteur
<b>2</b>	ET3P2	Set axis prolongation engine	Axe ensemble prolongation moteur
<b>3</b>	ET3P3	Bearing 6310	Roulement 6310
<b>4</b>	ET3P4	Seal 50x110x10	Reserve 50x110x10
<b>5</b>	ET3P5	Ring Seger I-110	Anneau Seger I-110
<b>6</b>	ET3P6	Fan belt SPB 200-4C	Poulie SPB 200-4C
<b>7</b>	ET3P7	Tapper 3020-40	Tapper 3020-40
<b>8</b>	ET3P8	Hydraulic motor	Moteur hydraulique
<b>9</b>	ET3P9	Straight plug pipe 6 coil 10x100	Prise de courant droite tube 6 filet 10x100
<b>10</b>	ET3P10	Hexagonal screw DIN 933 M12x35	Vis hexagonale DIN 933 M12x35
<b>11</b>	ET3P11	Washer DIN 127 M12	Rondelle DIN 127 M12
<b>12</b>	ET3P12	Washer DIN 125 M12	Rondelle DIN 125 M12
<b>13</b>	ET3P13	Cotter 14x09x60	Clavette 14x09x60