

CABEZAL HIDRAULICO PARA CARGADORAS COMPACTAS MOD. KBX-L



= DESPIECE

**I ECLATEE ET PIECES DE RECHANGE +
SPARE PARTS LIST**



— Estimado cliente,

Ante todo gracias por confiar en un producto Niubo. A continuacion se encuentra el despiece de la maquina adquirida. Si usted desea pedir piezas de recambio debera indicarnos lo siguiente o bien hacer servir el recuadro que viene a continuacion.

^ Cher client,

Tout d'abord merci d'avoir choisi un produit Niubo. Ci-dessous, il y a le eclatee de la machine achetee. Si vous souhaitez commander des pieces de rechange, vous devez fournir les donees suivants ou vous pouvez servir la case qui suit. jgg Dear customer,

First of all thanks for choosing a product Niubo. Below is the spare part list of the machine purchased. If you wish to order spare parts you must provide us the following data or you can serve the box that follows.

Modelo maquina: *Modele*
machine Machine model

Numero de serie de la maquina:
Nombre de serie
Serial Nr _____

Numero de elemento de la pieza de recambio: *Nombre d'element*
de la piece detachee Spare part's element number

Pagina donde se encuentra:
Page de cet manuel ou se trouve la piece Page number where is
the spare part _____

Cantidad a pedir:
Quantitee a commander
Quantity to order _____

En la placa de identificacion de la maquina encontrara la informacion que se le solicita:

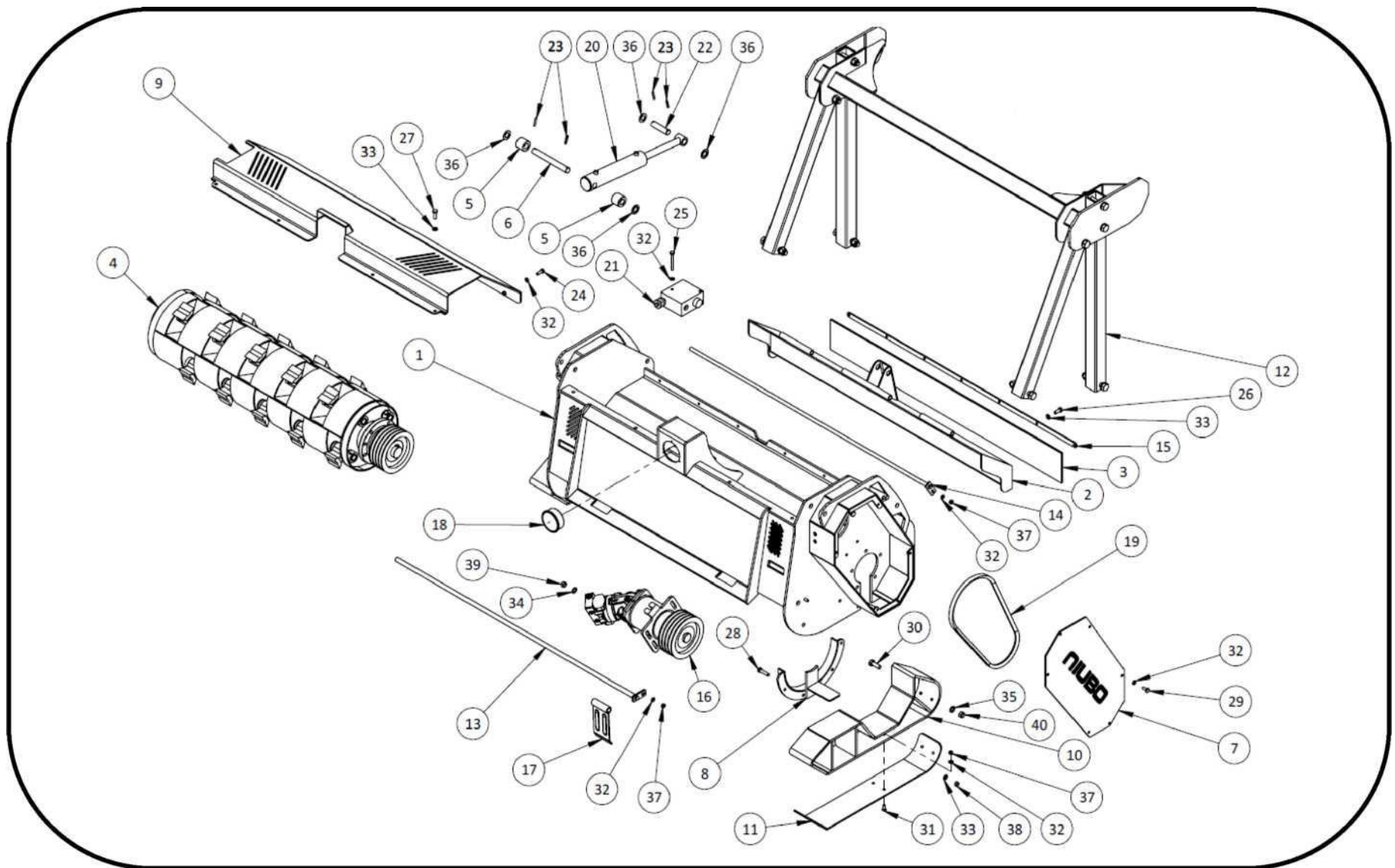
A la plaque d'identification de la machine vous trouverez l'information que vous avez besoin:
In ID plate of the machine you can find the information you need:

S3 THBO

AGRICULTURAL MACHINERY

MODEL DE MAQUINA

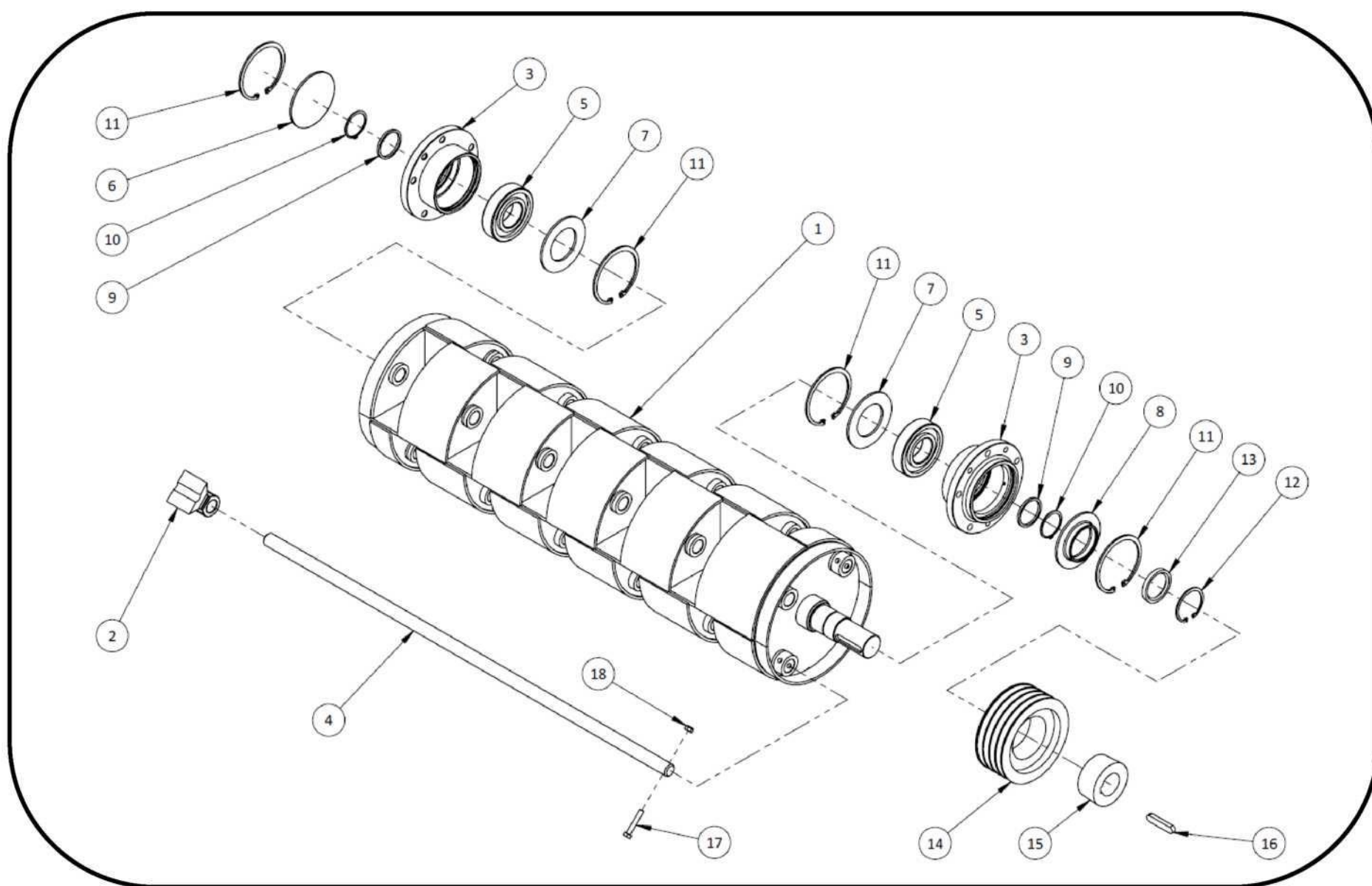
CONJUNTO CABEZAL HIDRAULICO/ENSEMBLE TÊTE DE BROUAGE HYDRAULIQUE/HYDRAULIC
MULCHING
HEAD ASSEMBLY



**CONJUNTO CABEZAL HIDRAULICO/ENSEMBLE TÊTE DE BROYAGE
HYDRAULIQUE/HYDRAULIC MULCHING HEAD ASSEMBLY**

N°	Артикул	DESCRIPTION	DESCRIPTION
1	BT1P1	Chassis assembly	Ensemble chassis
2	BT1P2	Door	Porte
3	BT1P3	Gum	gomme
4	BT1P4	Axis of hammers	Axe de marteaux
5	BT1P5	Tip cylinder	Douille cylindre
6	BT1P6	Bolt cylinder	Boulon cylindre
7	BT1P7	Belt's cover	Couverture courroies
8	BT1P8	Set covers side	Ensemble couvercle lateral
9	BT1P9	Top cover	Couverture superieur
10	BT1P10	Skid	Patin
11	BT1P11	Skid base	Base patin
12	BT1P12	Combine abatidor	Rends coherent abatidor
13	BT1P13	Support band bar	Baleine support bande
14	BT1P14	Subjection bar	Baleine fixation
15	BT1P15	Fixation gum	Fixation gomme
16	BT1P16	Set engine	Ensemble moteur
17	BT1P17	Band	Bande
18	BT1P18	Manometer	Manometre
19	BT1P19	CX-56 belt	Courroie CX-56
20	BT1P20	Cylinder 30/60 x 200	Cylindre 30/60 x 200
21	BT1P21	FPRF-1 regulator	Regulateur FPRF-1
22	BT1P22	Bolt 25x100	Boulon 25x100
23	BT1P23	Elastic bolt 7x40	Passoire elastique 7x40
24	BT1P24	Hexagonal screw DIN 933 M10x30	Vis hexagonale DIN 933 M10x30
25	BT1P25	Hexagonal screw DIN 931 M10x90	Vis hexagonale DIN 931 M10x90
26	BT1P26	Hexagonal screw DIN 933 M12x30	Vis hexagonale DIN 933 M12x30
27	BT1P27	Hexagonal screw DIN 933 M12x35	Vis hexagonale DIN 933 M12x35
28	BT1P28	Hexagonal screw DIN 933 M12x50	Vis hexagonale DIN 933 M12x50
29	BT1P29	Hexagonal screw DIN 933 M10x25	Vis hexagonale DIN 933 M10x25
30	BT1P30	Hexagonal screw DIN 933 M16x45	Vis hexagonale DIN 933 M16x45
31	BT1P31	Screw DIN 7991 M10x25	Vis DIN 7991 M10x25
32	BT1P32	Washer DIN 125 M10	Rondelle DIN 125 M10
33	BT1P33	Washer DIN 125 M12	Rondelle DIN 125 M12
34	BT1P34	Washer DIN 125 M14	Rondelle DIN 125 M14
35	BT1P35	Washer DIN 125 M16	Rondelle DIN 125 M16
36	BT1P36	Washer DIN 125 M24	Rondelle DIN 125 M24
37	BT1P37	Nut DIN 985 M10	Écrou DIN 985 M10
38	BT1P38	Nut DIN 985 M12	Écrou DIN 985 M12
39	BT1P39	Nut DIN 985 M14	Écrou DIN 985 M14
40	BT1P40	Nut DIN 985 M16	Écrou DIN 985 M16

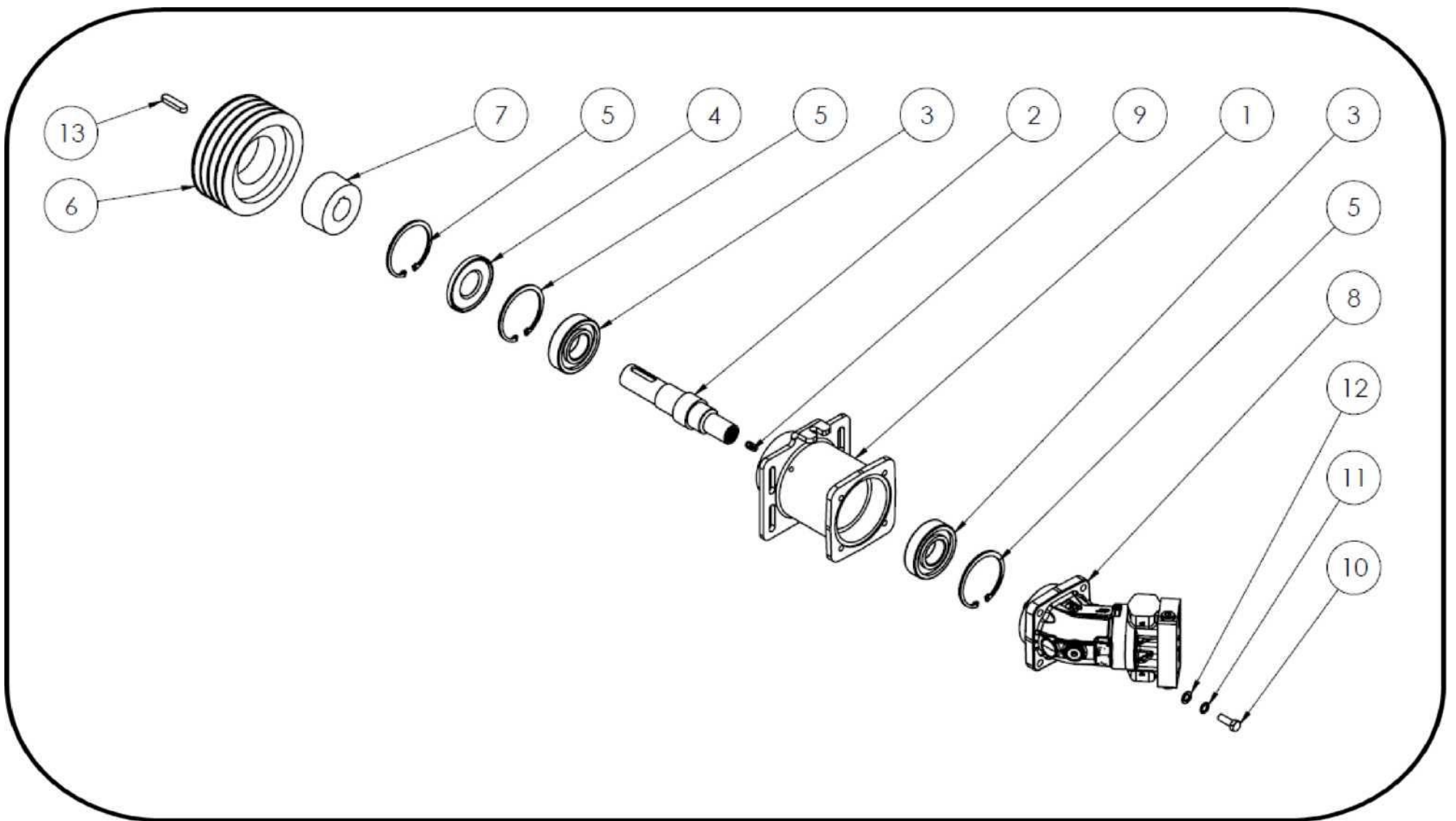
EJE DE MARTILLOS / AXIS OF HAMMERS / AXE DE MARTEAUX



EJE DE MARTILLOS/AXIS OF HAMMERS/AXE DE MARTEAUX

N°	Артикул	DESCRIPTION	DESCRIPTION
1	BT2P1	Axis of hammers	Axe de marteaux
2	BT2P2	Hammer	Marteaux
3	BT2P3	Hammers axis support	Suport axe marteaux
4	BT2P4	Bar subordination hammers	Barre fixation marteaux
5	BT2P5	Bearing 21312	Roulement 21312
6	BT2P6	Cover outside box	Couvercle caisse exterieur
7	BT2P7	Washer 135x80x5	Rondelle 135x80x5
8	BT2P8	Support seal	Supportez reten
9	BT2P9	Washer supplement	Rondelle supplement
10	BT2P10	Ring Seger E-60	Anneau Seger E-60
11	BT2P11	Ring Seger I-135	Anneau Seger I-135
12	BT2P12	Ring Seger I-80	Anneau Seger I-80
13	BT2P13	Seal 60X80X10	Reten 60X80X10
14	BT2P14	Fan belt SPC 212-4C	Poulie SPC 212-4C
15	BT2P15	Tapper 3020-55	Tapper 3020-55
16	BT2P16	Cotter 16x10x80	Clavette 16x10x80
17	BT2P17	Hexagonal screw DIN 931 M10x70	Vis hexagonale DIN 931 M10x70
18	BT2P18	Nut DIN 985 M10	Èa-ou DIN 985 M10

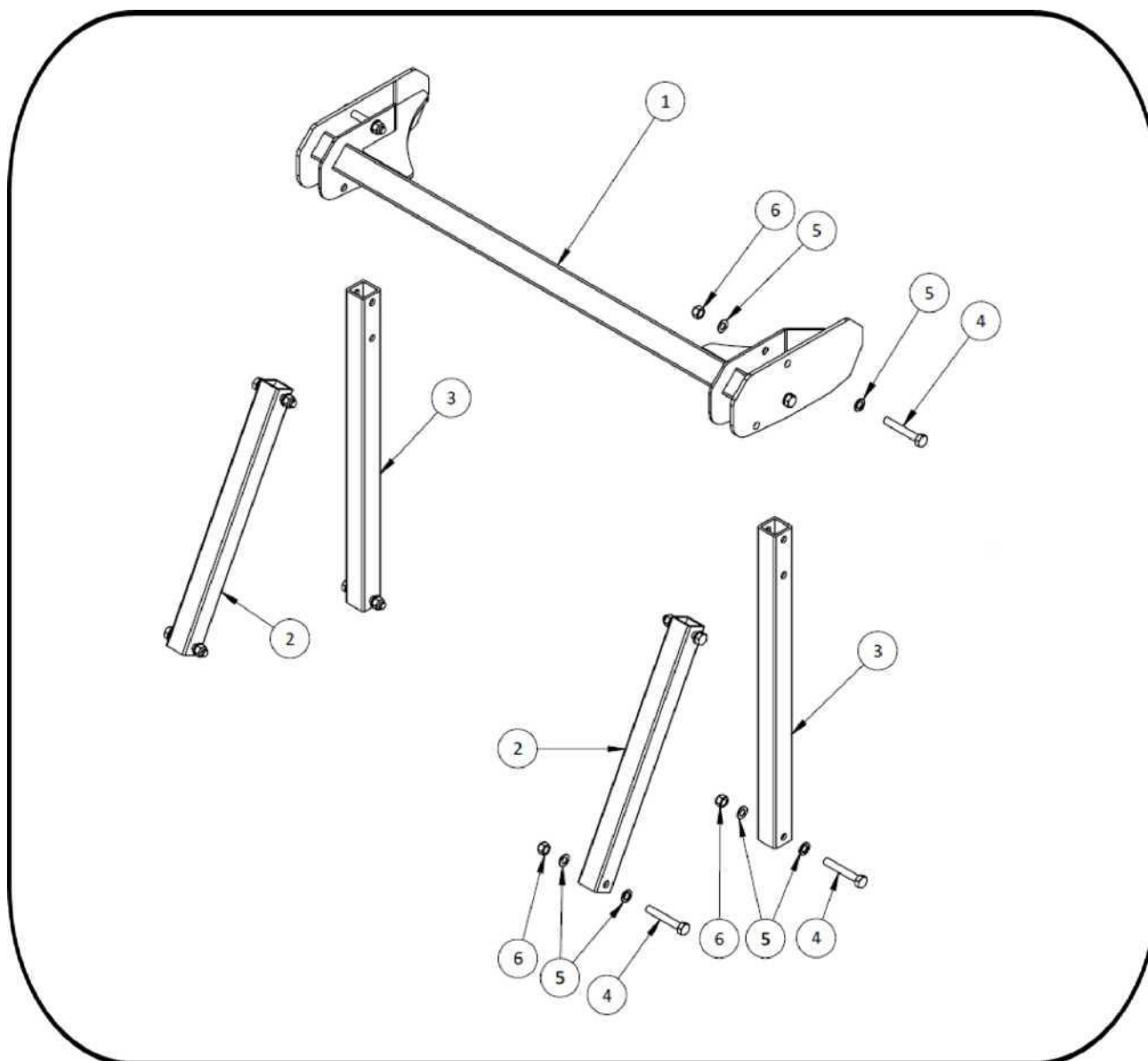
CONJUNTO MOTOR HIDRAULICO/HYDRAULIC MOTOR ASSEMBLY/ENSEMBLE MOTEUR HYDRAULIQUE



CONJUNTO MOTOR HIDRAULICO /HYDRAULIC MOTOR ASSEMBLY/ENSEMBLE
MOTEUR HYDRAULIQUE

N°	Артикул	DESCRIPTION	DESCRIPTION
1	BT3P1	Engine set	Ensemble moteur
2	BT3P2	Set axis prolongation engine	Axe ensemble prolongation moteur
3	BT3P3	Bearing 6310	Roulement 6310
4	BT3P4	Seal 50x110x10	Reserve 50x110x10
5	BT3P5	Ring Seger I-110	Anneau Seger I-110
6	BT3P6	Fan belt SPC 265-4C	Poulie SPC 265-4C
7	BT3P7	Tapper 3535-45	Tapper 3535-45
8	BT3P8	Engine	Moteur
9	BT3P9	Straight plug pipe 6 coil 10x100	Prise de courant droite tube 6 filet 10x100
10	BT3P10	Hexagonal screw DIN 933 M12x35	Vis hexagonale DIN 933 M12x35
11	BT3P11	Washer DIN 127 M12	Rondelle DIN 127 M12
12	BT3P12	Washer DIN 125 M12	Rondelle DIN 125 M12
13	BT3P13	Cotter 14x09x60	Clavette 14x09x60

CONJUNTO ABATIDOR/WHOLE DROOPED/GROUPE ABATTRE



CONJUNTO ABATIDOR/WHOLE DROOPED/GROUPE ABATTRE

N°	Артикул	DESCRIPTION	DESCRIPTION
1	BT4P1	Drooped	Abattre
2	BT4P2	800 fixation	Fixation 800
3	BT4P3	1050 fixation	Fixation 1050
4	BT4P4	Hexagonal screw DIN 931 M20x130 12.9	Vis hexagonale DIN 931 M20x130 12.9
5	BT4P5	Washer DIN 125 M20	Rondelle DIN 125 M20
6	BT4P6	Nut DIN 985 M20	Èa-ou DIN 985 M20

S3 ТИВО

AGRICULTURAL MACHINERY